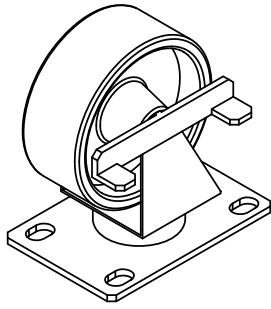


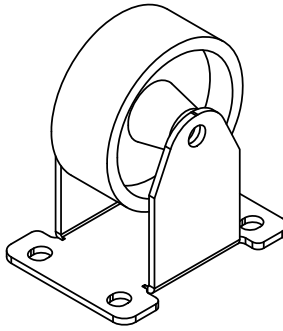
DEL SOL 25"/32"/40" GRILL BASE
ASSEMBLY INSTRUCTIONS

NOTES:

1. * (DSGB25)



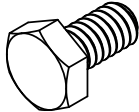
A: 3" CASTER W/ BRAKE (2x)
PN: 14404



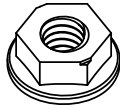
B: 3" STATIONARY CASTER (2x)
PN: 14455



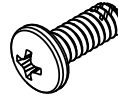
A: TANK CHAIN
PN: 13927



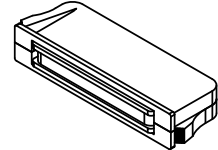
C: 1/4-20
HEX BOLT (16x)
PN: 14125



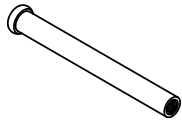
D: 1/4-20
NUT (16x)
PN: 14105



E: 10-24 X 1/4 PH
TYPE-F SCREW (49x) (*43x)
PN: 14275



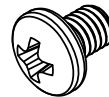
F: DOOR MAGNET
(2x) (*1x)
PN: 14460



G: HINGE PIN
(4x) (*2x)
PN: 14461

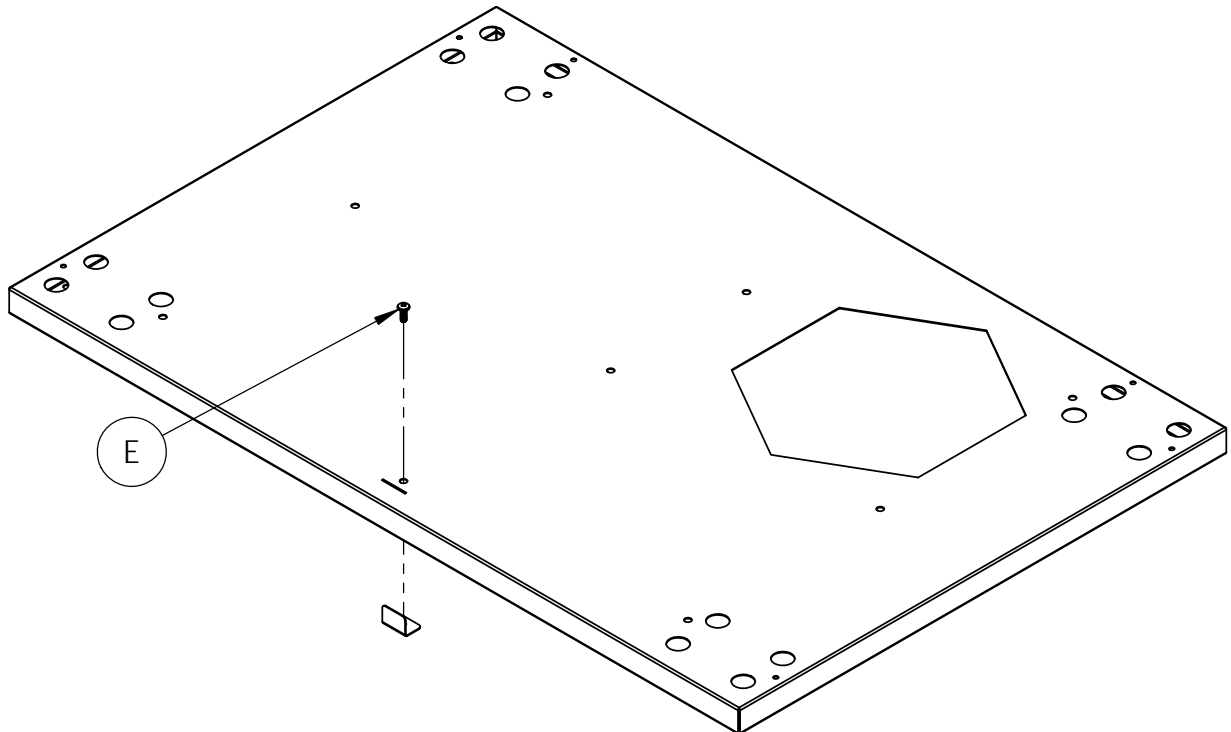


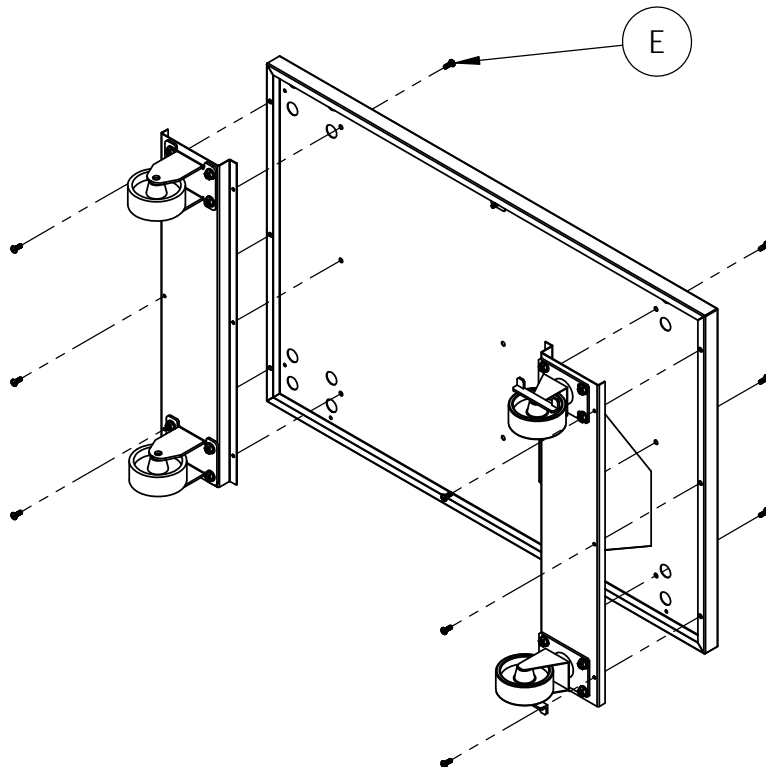
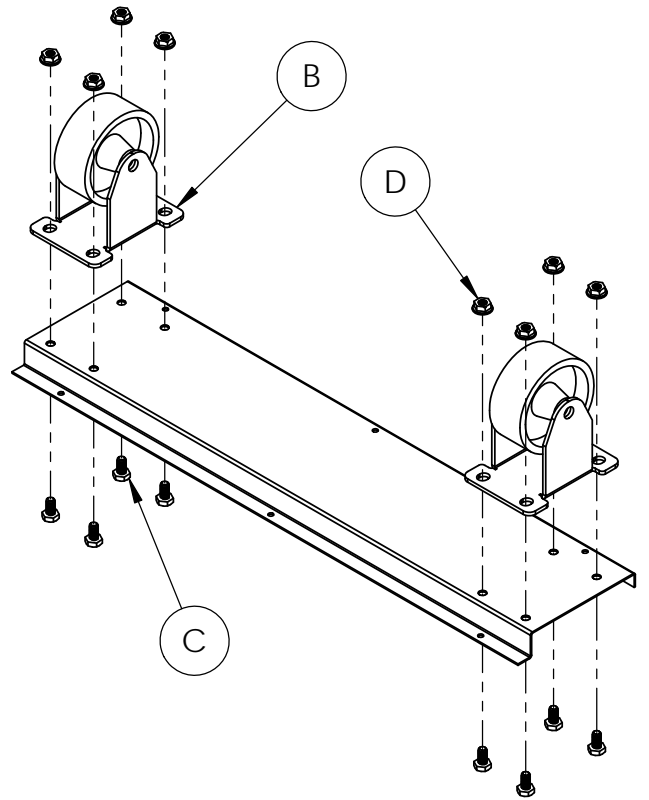
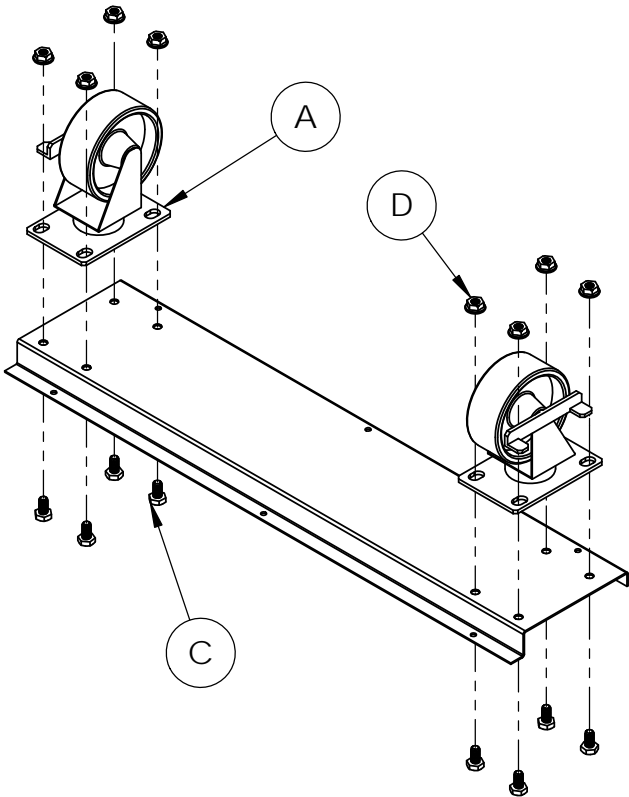
H: HINGE SCREW
(4x) (*2x)
PN: 14294

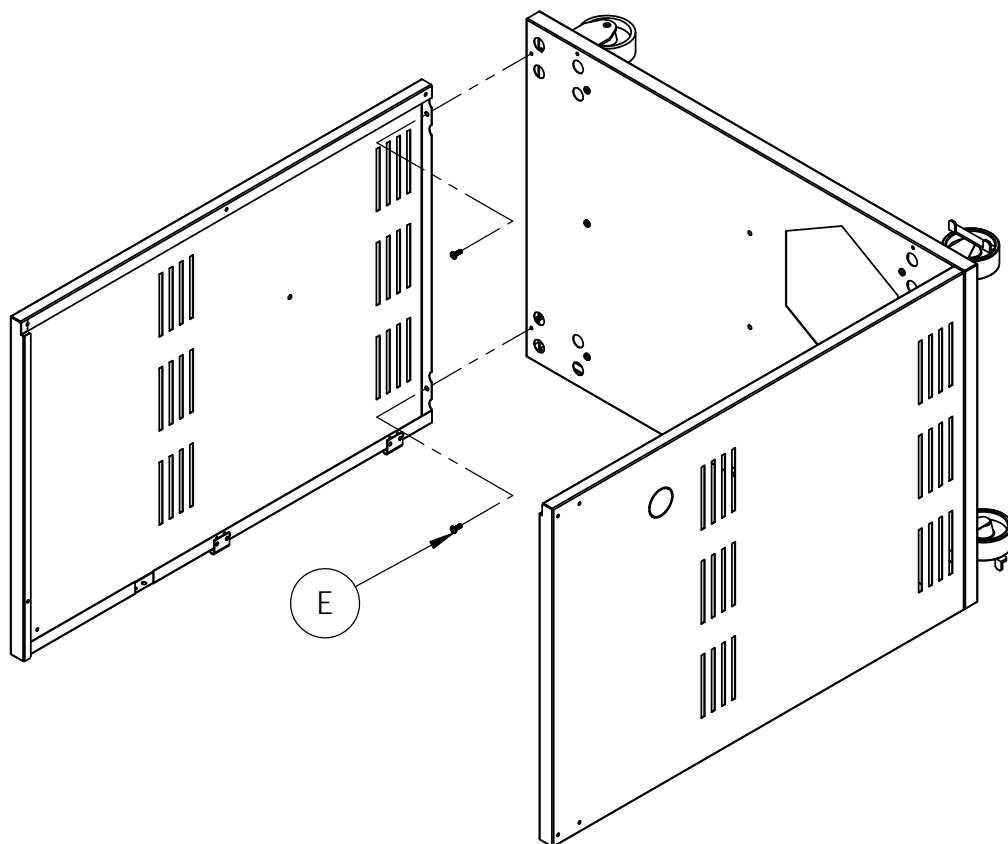
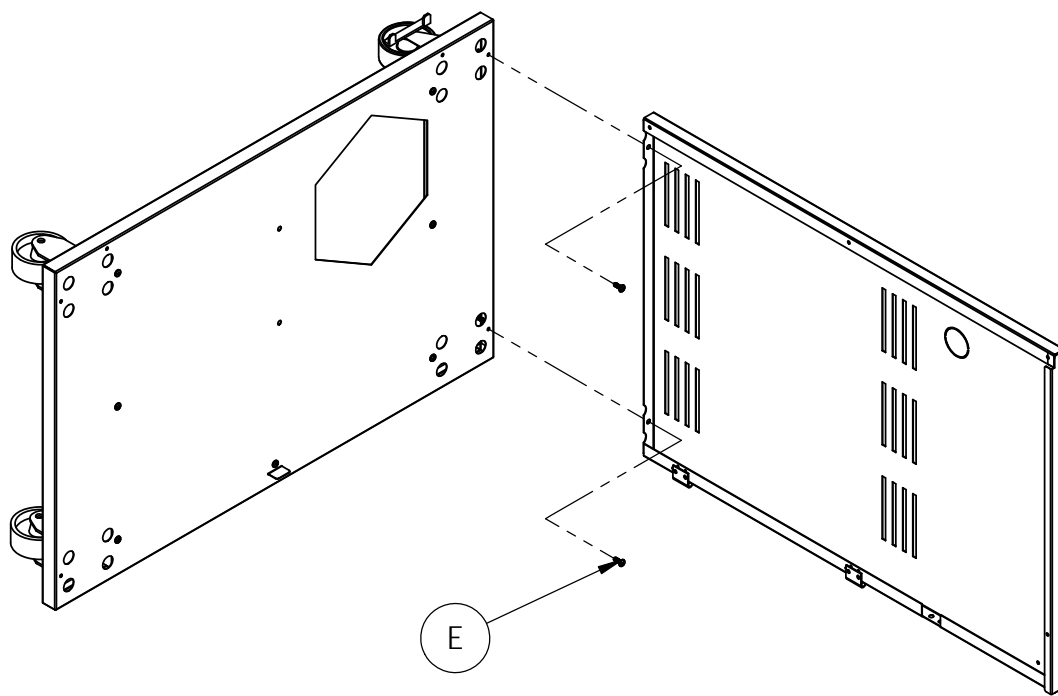


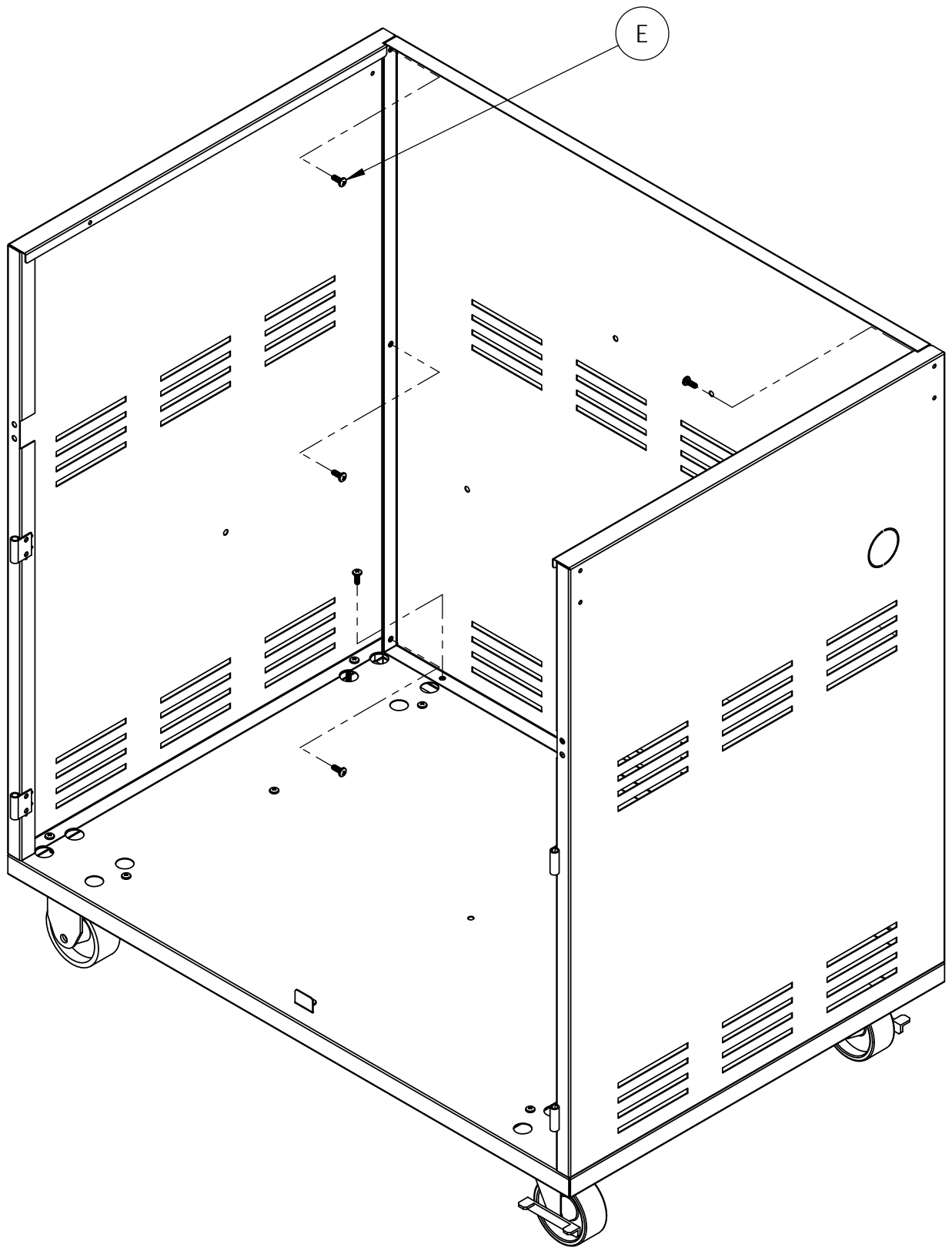
I: DOOR SCREW
(4x) (*2x)
PN: 14299

1. PHILLIPS SCREWDRIVER
2. 7/16 SAE WRENCH









NOTE:

1. DOOR MAGNET MAY COME PRE-INSTALLED TO THE MULLION.

